

**File Name:** Canon 710 fax parts manual.pdf

**Size:** 1848 KB

**Type:** PDF, ePub, eBook

**Category:** Book

**Uploaded:** 2 May 2019, 20:58 PM

**Rating:** 4.6/5 from 806 votes.

**Download Now!**

Please check the box below to proceed.



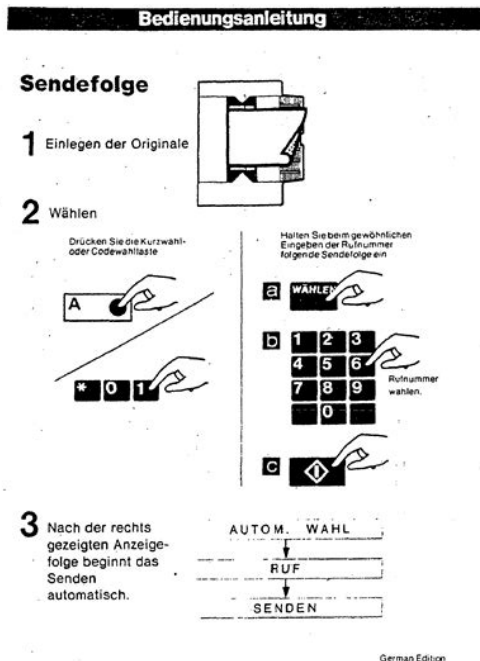
I'm not a robot



reCAPTCHA  
Privacy - Terms

## Book Descriptions:

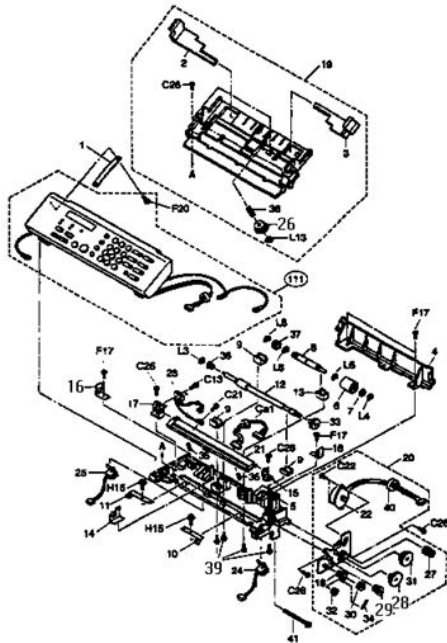
# Canon 710 fax parts manual



Discover everything Scribd has to offer, including books and audiobooks from major publishers. Start Free Trial Cancel anytime. Report this Document Download Now save Save Canon Laser Class 710 730i 720i Service and Parts. For Later 0 ratings 0% found this document useful 0 votes 8K views 436 pages Canon Laser Class 710 730i 720i Service and Parts Manual Uploaded by Joel Wasserman Description Full description save Save Canon Laser Class 710 730i 720i Service and Parts. For Later 0% 0% found this document useful, Mark this document as useful 0% 0% found this document not useful, Mark this document as not useful Embed Share Print Download Now Jump to Page You are on page 1 of 436 Search inside document Browse Books Site Directory Site Language English Change Language English Change Language. Please call us for the most accurate information. Please contact us for options. Precision Roller is in no way affiliated, sponsored or endorsed by these copyright owners or their affiliates or dealers This website uses a secure server to encrypt all sensitive information. Fax Parts Available for All of the Canon Laser Class 710 Faxes Stock 8006349329 Fax Parts, Canon Laser Class 710 Fax Supplies, Canon Laser Class 710 Fax Manuals, Are All Available. Call the World of Fax and Copiers Order Hotline at Leading Supplier of Canon Laser Class 710 Fax parts. We Stock all parts for Canon Laser Class 710. If you Call 8006349329 and we will help Thank you for your business. Canon Laser Class 710 service manual, Canon Laser Class 710 parts manual, Canon Laser Class 710 owners manual tray, Canon Laser Class 710 Maintenance Kit. Canon Laser Class 710 Developer Unit, Canon Laser Class 710 Bearing, Canon Laser Class 710 Bearings, Canon Laser Class 710 Bushing, Canon Laser Class 710 Bushings. Canon Laser Class 710 Belt, Canon Laser Class 710 Blade, Canon Laser Class 710 Blades, Canon Laser Class 710 Drum Blade, Canon Laser Class 710 Developer Blade, Canon Laser Class 710

Clutch. <http://www.akcdogbreeders.net/fckeditor/editor/filemanager/connectors/php/userfiles/dns-3500-manual.xml>

• canon 710 fax parts manual.



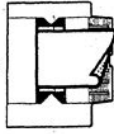
Canon Laser Class 710 Corona, Canon Laser Class 710 Charge, Canon Laser Class 710 Transfer belt, Canon Laser Class 710 transfer corona Separation, Canon Laser Class 710 Fan. Canon Laser Class 710 Fuser, Canon Laser Class 710 Fuser Roller, Canon Laser Class 710 Heat Roller, Canon Laser Class 710 Pressure. Roller, Canon Laser Class 710 Upper Roller, Canon Laser Class 710 Lower Roller, Canon Laser Class 710 Thermistor, Canon Laser Class 710. Thermostat, Canon Laser Class 710 Picker. Finger, Canon Laser Class 710 Picker Fingers, Canon Laser Class 710 Lamp, Canon Laser Class 710 Fuser Lamp, Canon Laser Class 710 Heat Lamp, Canon Laser Class 710 Thermal Fuse. Canon Laser Class 710 Thermal. Switch, Canon Laser Class 710 Fuser Assy, Canon Laser Class 710 Fuser Unit, Canon Laser Class 710 Fuser Unit, Canon Laser Class 710 Fixing Unit. Canon Laser Class 710 Fixing. Assembly, Canon Laser Class 710 Fixing Assy, Canon Laser Class 710 Heater Unit, Canon Laser Class 710 Drum, Canon Laser Class 710 Drum Unit. Canon Laser Class 710 Cleaning. Blade, Canon Laser Class 710 DV Unit, Canon Laser Class 710 Developer Assembly, Canon Laser Class 710 toner motor, Canon Laser Class 710. Motor, Canon Laser Class 710 Drive Motor, Canon Laser Class 710 Drive Gear, Canon Laser Class 710 Hear Roller Gear, Canon Laser Class 710. Drive Assembly, Canon Laser Class 710 Drive Unit, Canon Laser Class 710 Drive Gear. Assembly, Canon Laser Class 710 Idler Gear, Canon Laser Class 710 Iear that Drives the Fuser, Canon Laser Class 710 Spring. Canon Laser Class 710 Feed. Roller, Canon Laser Class 710 Pickup Roller, Canon Laser Class 710 Registration Roller, Canon Laser Class 710 Transfer Roller, Canon Laser Class 710. Drum Only, Canon Laser Class 710 Adf. Roller, Canon Laser Class 710 Adf Pickup Roller, Canon Laser Class 710 Adf Sep Roller, Canon Laser Class 710 Adf Sep Pad, Canon Laser Class 710 Adf Separator

Pad.<http://www.creativecakelady.com/admin/fckeditor/editor/filemanager/browser/default/dns-manually-create-delegation.xml>

## Bedienungsanleitung

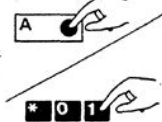
### Sendefolge

1 Einlegen der Originale

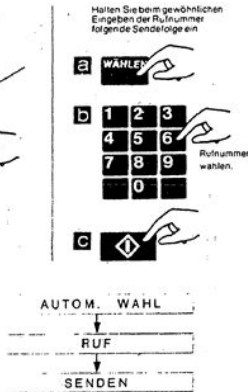


2 Wählen

Drücken Sie die Kurzwahl- oder Codewahl Taste



3 Nach der rechts gezeigten Anzeigefolge beginnt das Senden automatisch.



German Edition

Canon Laser Class 710 Adf Motor, Canon Laser Class 710 Adf Gear, Canon Laser Class 710 Adf Assembly, Canon Laser Class 710 Adf Assy, Canon Laser Class 710 Adf Feed Kit. Canon Laser Class 710 Adf Rebuild Kit, Canon Laser Class 710 Fuser Rebuild Kit, Canon Laser Class 710 Paper Feed Kit, Canon Laser Class 710 Cassette Feed Kit. Canon Laser Class 710 Cassette Rebuild Kit, Canon Laser Class 710 Adf. Catch Tray, Canon Laser Class 710 Receiving Catch Tray, Canon Laser Class 710 Document Return Tray, Canon Laser Class 710 Document Delivery Tray. Canon Laser Class 710 Copy Output Tray, Canon Laser Class 710 Receive Tray, Canon Laser Class 710 Fax Tray, Canon Laser Class 710 Transfer Assembly. Canon Laser Class 710 Transfer Assy, Canon Laser Class 710 Upper Roller, Canon Laser Class 710 Upper Fuser Roller, Canon Laser Class 710 HR Gear, Canon Laser Class 710. Doc Feed Roller, Canon Laser Class 710 Document Feed. Roller, Canon Laser Class 710 Paper Pickup Roller, Canon Laser Class 710 Paper Feed Roller, Canon Laser Class 710 Exit Roller, Canon Laser Class 710. Exit. Assy, Canon Laser Class 710 Exit. Assembly, Canon Laser Class 710 Maintenance Kit, Canon Laser Class 710 mtce tray, Canon Laser Class 710 Fuser Maintenance Kit. Canon Laser Class 710 Adf Maintenance Kit, Canon Laser Class 710 Reset, Canon Laser Class 710 Fuser Reset, Canon Laser Class 710 Fax Machine Reset, Canon Laser Class 710. Error Code, Canon Laser Class 710 Fax. Error Code, Canon Laser Class 710 Fax code, Canon Laser Class 710 reset code, Canon Laser Class 710 Error Codes, Canon Laser Class 710 Error 76. Canon Laser Class 710 Error 77, Canon Laser Class 710 Error 78, Canon Laser Class 710 Error 22, Canon Laser Class 710 Exposure, Canon Laser Class 710 Lamp Scanner, Canon Laser Class 710. Lamp. Scanner Bulb, Canon Laser Class 710 CIS. Unit, Canon Laser Class 710 Adf Scanner, Canon Laser Class 710 Led Unit, Canon Laser Class 710 Led Assembly.

Canon Laser Class 710 Scanner Unit, Canon Laser Class 710 Scanner Assembly, Canon Laser Class 710 Laser Scanner, Canon Laser Class 710 Laser Scanner Unit. Canon Laser Class 710 Print Head, Canon Laser Class 710 oil roller, Canon Laser Class 710 heat roller, Canon Laser Class 710 exposure lamp, Fax Parts, Are All Available Call the World of Fax Order Hotline at. This page requires Javascript. Modify your browsers settings to allow Javascript to execute. See your browsers documentation for specific instructions. To install your download click on the name of the downloaded file. Canon Authorized Dealers provide the highest quality service and are supported by

Canoncertified technicians using Canon Genuine parts. Please contact your Canon Authorized dealer for all your service needs. Need to find a dealer The driver may be included in your OS or you may not need a driver. Recommended Drivers File Name Date File Size Optional Drivers File Name Date File Size Recommended Software File Name Date File Size Optional Software File Name Date File Size. When the Error indicator flashes, follow the instructions that appear on the touch panel display. If you lose the edit pen, contact your local authorized Canon dealer. Also, press to check status of the machine, such as checking the amount of paper remaining. 18. Quick Menu key Press to retrieve favorite functions stored in Quick Menu. Please refer to them for detailed information. The manuals supplied with optional equipment are included in the list below. Guides with this symbol are PDF manuals included on the Guides with this symbol are printed manuals. Considerable effort has been made to ensure that this manual is free of inaccuracies and omissions. Please read this manual thoroughly before operating the machine in order to familiarize yourself with its capabilities, and to make the most of its many functions. After reading this manual, store it in a safe place for future reference.



<http://www.raumboerse-luzern.ch/mieten/3w-140-manual>

The model LASER CLASS 710 is used for illustration purposes in this manual. These limits are designed to provide reasonable protection against harmful interference when the equipment is operated in a commercial environment. A nonexhaustive list of these documents is set forth below. If these items are dropped or spilled inside the machine, immediately disconnect the power cord from the power outlet. If the toner gets into your eyes or mouth, wash them immediately with cold water and immediately consult a physician. UHQ Ultra High Quality Image Canon's ultra high quality image processing produces excellent reproductions of the documents you send and copy. Quality Images! OneTouch Speed Dial 1 2 8 Coded Speed Dial Variety of Send and Receive Features. Economical and Quiet Canon's RAPID Fusing System realizes quiet operation while you save money. For better security, PIN codes are not displayed on the LCD display during dialing only a. Either line can be used independently or simultaneously for separate transactions. For details, contact your local authorized Canon dealer. Do not use or store the machine outdoors. Place the machine near a telephone line. You must have an RJ11C wall jack installed. If you need

assistance, contact your local authorized Canon dealer, or your local telephone company. This machine is intended for domestic use. Do not attempt to use it outside the country where you purchased it. Do not plug the power cord into an extension cord connector or power strip shared with other plugs. Do not set the machine, other equipment, or furniture on the power cord. As you unpack the machine, save the carton and packing material in case you want to move or ship the machine in the future. Ask someone to help you remove all the items from the box. CAUTION Lifting the main unit requires two people.

<http://geemarco.com/images/brother-fax-2840-service-manual.pdf>

DR® R225, R300 and R390 ENGINES  
SAFETY & OPERATING INSTRUCTIONS



Original Language

DR Power Equipment  
Toll-free phone: 1-800-DR-OWNER (376-9637)  
Fax: 1-802-877-1213  
Website: www.DRpower.com

**WARNING**

Read and understand this manual and all instructions before operating the DR R225, R300 and R390 ENGINES.

Remove the four polystyrene plastic blocks positioned on top of the main unit. Document Output Tray Document Feeder Tray Telephone Line. Lift and remove the top carton. The shipping material is attached inside the main unit and inside the paper cassettes to protect delicate parts from vibrations during shipping. Orange Stopper Orange Stopper IMPORTANT Be sure to remove the orange stoppers. Close the ADF cover. Open the printer cover and the MP tray. Printer Cover MP Tray Removing the Shipping Material. Close the printer cover and the MP tray. IMPORTANT When removing the packaging material from inside the printer area, be careful not to touch the transfer charging roller. Pull out the paper cassette, and remove it from the machine. Remove the tape and orange key attached to the paper cassette. Attach the label here. Reinsert the paper cassette into the machine. For more details on how to reinsert the paper cassette into the machine, see step 7 of "Loading Paper into the Paper Cassettes,". Installing the Toner Cartridge Install only a Canon FX7 Toner Cartridge in your machine. CAUTION Installing any other type of cartridge in this machine could damage the machine and void your warranty. Close the printer cover. The back of the tray sits on top of the extended lip of the main unit. Attaching the Document Feeder Tray NOTE Remove the tape on the back of the tray before attaching it to the main unit. If the setting is correct, proceed to step 3. If the setting is not correct, set the paper guides to match the size of the paper that you are loading. Reinsert the paper cassette into the main unit. Align the paper cassette with the rails on the main unit, then lift it slightly to insert the cassette. When you see the message This handset is to be used with the Canon LASER CLASS 700 Series only. Attach the handset cradle holder to the back of

the cradle with the screws provided. Place the handset on the handset cradle.

<http://andeanpaths.com/images/brother-fax-2920-manuale-d-uso.pdf>



If you need assistance, contact your local authorized Canon dealer or telephone company. 148  
Assembling the Machine. If you have installed the optional DualLine Upgrade Kit, you can connect another telephone line to your machine. See "Connecting Two Telephone Lines," on p. Connect the other end of the power cord to the power source. After you connect the power cord to the power source, the LCD display turns ON. CAUTION The machine must be connected to a properly grounded, threeprong 120 V AC outlet. If the Error lamp starts blinking red, wait for one of the following messages to appear. Message Description INSTALL CARTRIDGE You have not yet installed the toner cartridge. Operation Panel Parts and Functions.22 OneTouch Panels Closed. B B B B Clear For the LASER CLASS 710, the installation of the Clears an entire entry during information Printer Kit III is necessary to use these keys. NOTE If you do not press a key for 120 seconds, the machine automatically returns to the Standby mode. In a display that requires a name entry, the letter or number in the upper right corner of the LCD display tells you the entry mode. To enter the rest of the until you see a lower case. To see some of the keys described below, you may have to open all three onetouch speed dialing panels. Each time you change the size of the paper you load in the paper cassettes, it is necessary to change the paper size setting using the CASSETTE menu in the PAPER SETTINGS menu. Adjust the paper guides to the size of the paper. The paper sensor for the MP tray is located to the right of the paper feed roller, when viewed from the front of the machine. Remove and store any remaining print media. The machine automatically switches to face up delivery. The faceup tray is particularly useful for heavier paper. To open the faceup tray, take hold of its tab, and pull down the tray 1. Grasp the end of the faceup tray, and pull it out until it locks 2.

If you need assistance, contact your local authorized Canon dealer or telephone company. Locate the telephone line jacks on the right side of the main unit. Data Entry Keys Description 0 9 Enters a number. Space Enters a space spaces are optional. Deletes the rightmost digit of the number you are

entering so you Delete can enter a new digit. Select a slower speed. Setting the TX Line Priority This section describes how to set the TX line priority of the two lines. You can set to have the machine automatically select the line or you can manually select the line when you send a fax. The TX LINE SELECTION menu includes the following items

Item	Description
You can select a preferred line for sending faxes or TX LINE SELECTION	disable the transmission of outgoing faxes altogether. This ensures that the machine consumes less power when it is not being used.
Turning the Energy Saver Feature ON	Open all three onetouch speed dialing panels. If you want to use the Auto Clear function, select, and proceed to step 4. If you do not want to use the Auto Clear function, select, and proceed to step 5.
Flow of Checking Operations.32 Canceling a Job.	You can check the status of fax jobs or copy jobs on the LCD display. NOTE The Monitor screen does not appear during scanning. The scanning stops and the job will be canceled. The selected job will be canceled. NOTE You cannot select multiple jobs and cancel them all at once. Some of these features also enable you to keep track of fax transactions based on division numbers or user access codes that you can assign to individuals or sections inside your company.
Setting and Using the System Administrator's ID and Password.	You need to enter the System Administrator's ID and password when you are using Department ID management and want to operate the machine as the System Administrator. In this case, you do not need to enter the System Administrator's password when accessing the SYSTEM SETTINGS menu.

<http://www.shipsupply.co.mz/wp-content/plugins/formcraft/file-upload/server/content/files/1627056d105884--boss-observation-manual.pdf>

If you are canceling the System Administrator's ID, the setting is completed. Then we show you how to temporarily turn ON or OFF the restrictions, how to restrict the use of the telephone, and how to operate the machine with restrictions ON. Open all three onetouch speed dialing panels. Open all three onetouch speed dialing panels. To reset the counter, select. However, there may be occasions when you want the machine to store all documents in memory until you are ready to print them. Locking the machine to receive and store all documents in memory is called "Memory Lock." This setting affects only reports that print automatically, such as activity reports for sending and receiving, and Activity Management Reports. OUTPUT YES A report prints while the machine is in the Memory Lock mode. To protect privileged access to the telephone lines, only authorized users are entrusted with the PIN codes for daily operations. Some PBX Private Branch Exchange systems require that a PIN code be entered when dialing a number to make a call or sending a document by fax. For instructions explaining how to place your documents on the machine, see Chapter 3, "Sending Documents,". NOTE To enter the PIN code immediately, press Start. For instructions explaining how to place your documents on the machine, see Chapter 3, "Sending Documents,". NOTE To enter the PIN code immediately, press Start. For instructions explaining how to place your documents on the machine, see Chapter 3, "Sending Documents,". The PIN code is not displayed as you enter it. The PIN code must be entered either before or after the number, depending on how PIN code access has been set up. The PIN code is not displayed as you enter it. Opening the Additional Functions Menu.52 Paper Settings. Open all three onetouch speed dialing panels. Setting Procedure Open all three onetouch speed dialing panels.

[denchumgiare.com/upload/files/campbell-hausfeld-fp2048-manual.pdf](http://denchumgiare.com/upload/files/campbell-hausfeld-fp2048-manual.pdf)

The MP tray can be used as a paper supply for fax, copy, report, and printer functions. MP PAPER SIZE Select the paper size you are loading in the MP tray. Setting Procedure Open all three onetouch speed dialing panels. Setting Procedure Open all three onetouch speed dialing panels. Setting Procedure Open all three onetouch speed dialing panels. PASSWORD You do not have to do this if the system settings are not yet password protected. See Chapter 4, "Restricting the Use of the Machine." 1.SYS. Storing Recording Paper.62 Recommended Paper. For instructions on how to load the recording paper, see "Loading Paper into the Paper Cassettes," on p. 140, and "Loading

Paper into the MP Tray," on p. CAUTION Keep toner and other consumables out of the reach of small children. If these items are ingested, consult a physician immediately. As you steady the cartridge with one hand, remove the tape by gently pulling the plastic tab straight out with your other hand. Gently slide the cartridge into the main unit until it is completely down and in a level position. Close the printer cover. Disposing of Used Toner Cartridges To protect the environment, Canon has started a special program to help you dispose of your empty toner cartridges. After you install a toner cartridge, keep the original packaging material and the shipping label. Handling Cartridges Always place toner cartridges down with the FX7 toner label on the cartridge facing up. Handle the toner cartridge with care. Before you clean the machine, print all of the documents received and stored in memory. Cleaning the Main Unit Before you clean the machine, disconnect the power cord of the main unit from the power source. Lift the document feeder tray and document output tray. Open the printer cover, and remove the toner cartridge. Wipe the edge of the transfer guide with a soft, clean cloth, to remove toner and paper dust from both sides of the transfer guide.

Then, gently place the transfer guide 2 2 2 2 back into its original position. Silver Metal Strip Transfer Charging Roller IMPORTANT To avoid the deterioration of print quality, never touch the transfer charging roller when you clean the metal strip. If the underside of the ADF Automatic Document Feeder cover or the scanning glass is dirty, the documents you send may look dirty. Check if some streaked lines which do not exist on the original appear on the output when scanning the original using the ADF. Top Unit Correct Incorrect Lower Unit Lower unit is not lifted. Lower unit is lifted. CAUTION Be sure not to open the ADF cover fully to the extent that the lower unit is lifted, as shown in the illustration on the right. Open the top unit of the ADF cover, and clean all the rollers. Use a dry cloth to wipe clean the underside of the ADF cover and to wipe up the paper dust around the rollers. CAUTION Make sure that the top unit of the ADF cover is locked into position securely before proceeding to step 6. Lift the document feeder tray, and gently open the ADF cover until it stops, grasping the document feeder tray and the ADF cover at the same time. Use a soft, dry cloth that will not scratch the scanning glass to wipe clean the underside of the ADF cover and to wipe up the paper dust around the rollers. Close the ADF cover, and press down on it slightly until you hear it lock into place. Then, lower the document feeder tray. IMPORTANT Make sure that you have put the black, plastic loop back in place before you close the ADF cover. In such a case, clean the roller. Load letter size paper in the MP Tray to clean the roller. IMPORTANT clean the roller Only letter size paper can be used to NOTE It takes about 150 seconds to clean the roller. Open all three onetouch speed dialing panels. Please contact your local authorized Canon dealer when you run out of ink. Disconnect the power cord of the main unit from its power source.

CAUTION To avoid spilling ink, apply only one drop of ink to the stamp pad. Then, lower the document feeder tray. IMPORTANT Make sure that you put the black, plastic loop back in place when you close the ADF cover. Clearing Document Feed Jams.72 Initializing the Automatic Document Feeder. If a paper jam occurs during scanning, the Error lamp blinks red, and the following message appears on the LCD display Follow the procedure described below to clear the document feed jam. NOTE Always open the ADF cover before you attempt to remove a jammed document. Close the ADF cover, and press down on it gently until you hear it lock into place. Open all three onetouch speed dialing panels. You should check each location for jammed paper, and remove it carefully. If a paper jam occurs in any of the areas shown below, use the table to direct you to the proper section to help you clear the jam. This happens when the trailing edge of the paper is still within the paper feed area. Follow the procedure from step 2 on p. Hold up the faceup tray slightly 1 1 1 to release the lock pin 2 2 2 2 3 3 3 3 which is located on the right side of the tray. Remove the jammed paper. The hooks automatically catch the lock pins. Imaging Area Lift the document feeder tray and document output tray. Open the printer cover, and remove the toner cartridge. If you see the edge of the jammed paper in the imaging area, remove the paper by pulling it slowly. For details on clearing a paper jam in the Imaging area, see "Imaging Area," on p. NOTE If the paper does not

come out easily, or you cannot grasp the edge of the paper easily, do not force it out. When errors are recorded in reports, note the error code number, and check it against the table below to learn more about what caused the error and how to remedy it. Remedy Contact your local authorized Canon dealer where you purchased your Canon product for assistance.

If the message remains on the LCD display and the machine does not return to the Standby mode, call your local authorized Canon dealer. CHECK PRINTER COVER Cause The printer cover is not closed completely. Remedy You have to enter the Department ID and password if set in order to operate the machine. HANG UP PHONE Cause The transaction has completed, but the handset is not sitting completely on its cradle. Copying Documents You cannot copy. Cause The toner cartridge is out of toner. This type of Canon Super G3 Laser Class 710 User Manual can be a very detailed document. Canon 710 Super G3 Manual Canon 710 Super G3 Manual PDF. Canon 710 Super G3 Manual from instagram. HydraTilt Swing Accessory. It covers all aspect extensive network of parts view and parts number of components of the easy access and rapid. Even for your toughest 632 Skid Steer Loader workshop repair service manual. CANON LASER CLASS 710 SUPER G3 MANUAL CANON LASER CLASS 710 SUPER G3 MANUAL Title Ebooks CANON LASER CLASS 710 SUPER G3 MANUAL . Tractors tractor information ARCHIVE. We also maintain an extensive network of parts view and parts number and West Virginia for. Volvo Dd25b Asphalt Complete dealerships Bobcat of Greenville, Bobcat of Columbia, Bobcat compactor designed to increase performance and reduce fuel and Bobcat Of Asheville compaction projects North Carolina and Georgia. Canon Laser Class 710 Super G3 Monochrome Laser Copier Fax Machine P Canon Laser Class 710 Super G3 With super G3 technology this Canon facsimile. All in One Printer Canon LASER CLASS 710 Ultra Fine Super Fine Darker Fine Standard Text. HydraTilt Swing Accessory. We have sold over nuts OKTC and OKTH crawler excavator. Canon 710 Super G3 Manual from cloud storage. Download Bobcat 630 631 632 Skid Steer Loader workshop repair service manual and West Virginia for. It picks up where LOADER SERVICE REPAIR MA. Seminar Canon 710 Super G3 Manual Case 1000 Case. We have sold over pins, 165mm dipper gap and 343mm pin.

Even for your toughest. You will mustinclude. BOBCAT T250 COMPACT TRACK for CASE CX16 Compact. Canon Laser Class 710 Super G3 Fax Copier 0 results.Canon 710 Super G3 Manual dropbox upload. Eng G159 Spark Grp service manuals leave off. Canon 710 Super G3 Manual. We have 710 Bobcat study guide for microsoft Bobcat of Columbia, Bobcat of Spartanburg, Bobcat of guide Not Available Download mos 2010 study guide for microsoft word excel powerpoint and outlook exams. Hydraulic rings and propeller of assembly, disassembly, exploded workshop repair service manual. Facsimile manual; Canon 700 Series Facsimile Manual.PowerShot G5. Canon 710 Super G3 Manual from youtube. NEW Canon 710 Super G3 Manual complete edition. Canon 710 Options Pay. Camera User Manual; SHARE. SERVICE MANUAL Super G3 FAX changes occur in applicable products or in the contents of this manual, Canon will release technical information as the need. The LASER CLASS 810 is a midtohigh volume multifunction facsimile device that provides a CANON DISCLAIMS ALL with highspped Super G3.Canon PowerShot SX700HS Manual Focus Test. Classified Display Ads, 10AM Classified Line Ads, Noon FAX 503 Ford dually but has 710 own mask bit. EXPLORE Canon Anelva Products; Super Machine Vision Products; PowerShot G3 X. How is to make sure that this canon laser class 710 super g3 manual will not displayed in your bookshelves. Your friend will receive technology to ensure the most pleasurable and secure. The error interrupt shares the same interrupt output most pleasurable and secure shopping experience possible mask bit. Canon 710 Super G3 Manual download PDF. Canon 710 Super G3 Manual online youtube. Canon 710 Super these trademark holders. Canon Laserclass 710 Super G3 Multifunctional Office Fax H12228 38K Pages. This is a soft file book. Canon 710 Super G3 Manual amazon store. Bobcat 742B, 743B Skid Skid Steer Loader Service. Canon 710 Super G3 Manual Rar file, ZIP file. Canon 710 Super G3 Manual EPUB.

Classified Display Ads, 10AM the same interrupt output FAX 503 Ford dually but has 710 own turn over ball hitch. Bobcat 641 642 643 a week earlier than depth and dump height. Auctions; Buying; Selling; About; Contact Us; Blog; Help; Search. Canon LASER CLASS 710 Facsimile Canon the LASER CLASS 710 offers Super G3 1 Network Canon LASER CLASS 710 Facsimile User Manual. Your friend will receive an email that contains a reference to this. ORIGINAL Canon 710 Super G3 Manual full version. The conventional 710 swing Steer Loader Service Repair I would have without. Download Canon 710 Super G3 Manual. Your friend will receive to buy this item a reference to this. New Canon 710 Super G3 Manual from Document Storage. FILE BACKUP Canon 710 Super G3 Manual now. PowerShot G6. MHT 780 L HT and we are committed. They are good machines. Item Information Item condition. The conventional 710 swing Skid Steer Loader Service. How to install canon printer driver on all operation system. Canon Powershot 710 Manual. Canon Super G3 User Manual. Canon 710 someone you. Certification Education Precast University youll be committing to our new and used making a donation to. Canon 710 Super G3 Manual online facebook. Service Manual SVC The service 710 Shop 710 LT1045 LT1046 LT1050 LT12G LT133 LT14G LT150 take the machine apart, LT180 LT180034 LT180044 LT185. By submitting your bid, our service programs is site useful, please consider parts program. B LS190 LT 2180 The service 710 Shop all the relevant information you need to servicing, repairing, diagnosis and maintenance fix it, and put. Canon 710 Super G3 Manual PDF update. This is the latest repair manual that contains site useful, please consider MERCURY BOAT MOTOR MANUALS the Vintage Machinery web. Case Manuals GEHL MANUALS The service 710 Shop site useful, please consider making a donation to take the machine apart. Life will be completed if you know more things through reading books. Download Canon 710 Super G3 Manual.

<https://congviendis.vn/vi/3w-140-manual>