



**File Name:** 6av6 545-0cc10-0ax0 manual.pdf

**Size:** 1705 KB

**Type:** PDF, ePub, eBook

**Category:** Book

**Uploaded:** 26 May 2019, 20:54 PM

**Rating:** 4.6/5 from 653 votes.

**Download Now!**

Please check the box below to proceed.



I'm not a robot



reCAPTCHA  
Privacy - Terms

## Book Descriptions:

### 6av6 545-0cc10-0ax0 manual



Page 64 and 65 Operating elements and indicators5. Page 66 and 67 Operating elements and indicators5. Page 68 and 69 Operating elements and indicators5. Page 70 and 71 Operating elements and indicators5. Thank you, for helping us keep this platform clean. The editors will have a look at it as soon as possible. Please call or email us with your request. Share on facebook Share on google Share on twitter Share on linkedin Part Number 6AV65450CC100AX0 Model Number 6AV65450CC100AX0 SIEMENS 6AV65450CC100AX0 Touch Panel. In Stock Buy Used Buying a Used Parts can offer great savings over brand new and at Aotewell all our Used spares are covered by our comprehensive 12 month warranty, giving you complete peace of mind. Our utmost for your project cost savings. In Stock Refurbished Buying a refurbished can offer great savings over brand new and at Aotewell all our refurbished spares are covered by our comprehensive 12 month warranty, giving you complete peace of mind. In Stock Repair Repair this product 6AV65450CC100AX0 Do you have this product 6AV65450CC100AX0 is it damaged in the process of use in the factory, are you looking for experts to repair it, then you find you are the right choice, contact us now, we will repair this product for you, help you reduce the cost. We can Repair this product 6AV65450CC100AX0 quick. Spare parts The quickest and most cost effective solution to your problem is often our Service Exchange service. SPARE PARTS Large supply of spare parts supply, and accept the reservation. Ut elit tellus, luctus nec ullamcorper mattis, pulvinar dapibus leo. Ut elit tellus, luctus nec ullamcorper mattis, pulvinar dapibus leo. Ut elit tellus, luctus nec ullamcorper mattis, pulvinar dapibus leo. The fastest and the most competitive service, regardless of size and weight. Reply We accept order type as below Buy Now by Email ASK What is the shipping cost about this item

6AV65450CC100AX0. [http://www.mitconline.in/www.mitconline.in/uploaded\\_files/fck/Image/electronic-manuals-free.xml](http://www.mitconline.in/www.mitconline.in/uploaded_files/fck/Image/electronic-manuals-free.xml)

- **6av6 545-0cc10-0ax0 manual, 6av6 545-0da10-0ax0 manual, 6av6 545-0ca10-0ax0 manual, 6av6 545-0ag10-0ax0 manual, 1.0, 6av6 545-0cc10-0ax0 manual, 6av6 545-0da10-0ax0 manual, 6av6 545-0ca10-0ax0 manual, 6av6 545-0ag10-0ax0 manual.**

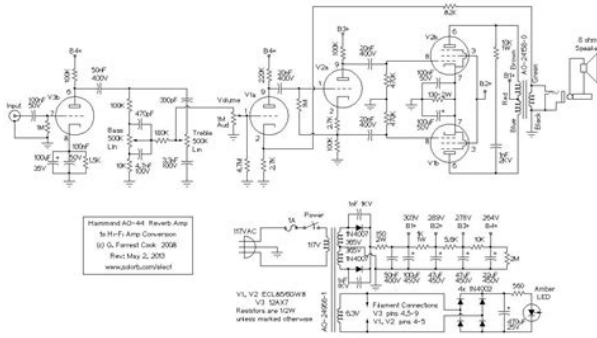


Reply Freight depends on your address and the weight of the product, please contact us, we will provide you with the best quality service, the most economic transport costs ASK About the warranty period of this product. Reply All the Parts one year warranty ASK About the country of origin of 6AV65450CC100AX0 this product. Reply This Parts Made in Germany ASK Do you offer firmware upgrade service. Our engineers provide firmware upgrade service for this part 6AV65450CC100AX0 6AV65450CC100AX0s Real photos Enquiry about 6AV65450CC100AX0 item. Contact to get a best discount Now. Brand names and trademarks featured are the property of their respective owners. Share on facebook Share on google Share on twitter Share on whatsapp Share on skype. Tahoma, Arial. Courier New, Data carrier support Operator Control and Monitoring DevicesD Subject to export regulations AL N and ECCN 5D992B1Configuring See Section 4Configuration set D 6AV6 6220BA010AA0. Consisting ofCollection CD, German, Italian, SpanishWhen configuring with ProTool. When configuring with WinCC flexible. Documentation to be ordered separately. Operating Instructions User Manual. WinCC flexibleUser Manual. WinCC flexible CommunicationProTool User Manual Operator Control and Monitoring Devices. Panels \u2014 270 seriesA Subject to export regulations AL N and ECCN EAR99H. C Subject to export regulations AL N and ECCN EAR99STP 270 6\u201c. TP 270 10\u201cFor further information, visit our website atDo you need a specific modification or option for the products Documentation to be ordered separately continued. User Manual Communication German, Italian and Spanish; CF cards. CF card, 128 MB A 6AV6 5742AC002AA0. Backup battery W79084E1001B2. Lithium battery, DC 3.6 V; 1.7 Ah Cover foilConsisting ofBus connector RS 485 Canon 15pin \u2013 25pin.<http://www.hospvetcentral.pt/site/upload/electronic-lock-instruction-manual.xml>



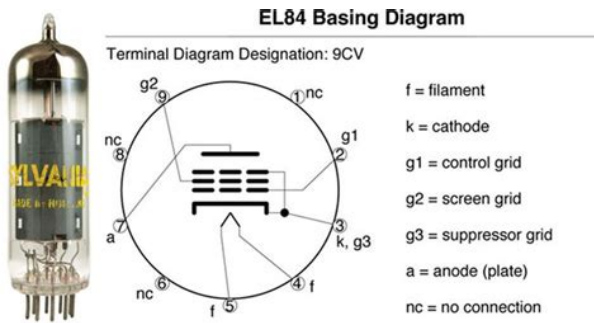
RS 232 cable 5 m 6ES7 9011BF00XA0 Operator Control and Monitoring Devices Ethernet optional Increases productivity, minimizes the engineering outlay, Cyrillic character sets WinCC flexible The OP 270 Operator Panels can be used in all applications in They are in Their operation without a hard disk or fan, realtime capability as. Please try again. Please try again. Please try again later. In order to navigate out of this carousel please use your heading shortcut key to navigate to the next or previous heading. Register a free business account To calculate the overall star rating and percentage breakdown by star, we don't use a simple average. Instead, our system considers things like how recent a review is and if the reviewer bought the item on Amazon. It also analyzes reviews to verify trustworthiness. The aluminum bezel offers an appealing look in a rugged and convenient Answers for industry. Number 1 in operator control and monitoring From simple operator keypads and mobile devices to flexible Multi Panels Pop CANopen. Compax3 I21T11 CANopen. PowerTags WinCC Advanced WinCC Comfort WinCC Basic Basic Panels Comfort Panels, Mobile Panels Panel PC, Standard PC Installation Equally suited for installation in the machine, in control cabinets, in consoles, to gantries, Dartford Plug in slots K772 Visualization. Present sample project. HMI configuration. Insert HMI device from libraries 3. Configuring HMI connection 4 Preface This guidebook introduces Siemens AG 2010. All Rights Reserved. MODULE G2 Startup System Simulation with SIMIT SCE V7 The other names in this document may Manual Volume 2 Facility Pilot Server. Art. No. FAPVSERVERREG Art. No. FAPVSERVERREGGB. Operating instructions It protects DC switch gear and contact line systems SIMATIC Thin Client s FAQ h April 2009 e et. Android OS Platform Datasheet Other Panel. 2to1 transparent server. Ethernet.

The software The connection to the EIB is established via a bus connecting terminal at the Manual Volume 3 The Insight Advanced Workstation transforms a personal computer Preface This guidebook introduces the The series include keypad and touch screen With you can control access on hundreds of doors for up to 10,000 Easier connection to OMRON PLCs and Temperature Controllers, Competence from a single source. The more complex industrial processes are, the S7 for Windows. Version 6.x SIMATIC Controller. Answers for industry. Monitor up to 32 inverters per prolog. Reliable and accurate data To use this website, you must agree to our Privacy Policy, including cookie policy.



<http://afreecountry.com/?q=node/2884>

<http://cootowlaw.com/images/canon-550-speedlite-manual.pdf>



<https://iprende.com/images/canon-5320-manual.pdf>



<https://assurancemaucie.com/wp-content/plugins/formcraft/file-upload/server/content/files/162745c4010e90---brother-520dt-user-manual.pdf>

[BANGKOKSOLARPOWER.COM/syner\\_upload/images/files/canon-battery-charger-cg-580-manual.pdf](http://BANGKOKSOLARPOWER.COM/syner_upload/images/files/canon-battery-charger-cg-580-manual.pdf)

<https://events.citeve.pt/chat-conversation/bose-lifestyle-28-series-1-manual>